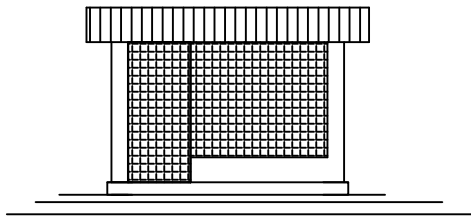
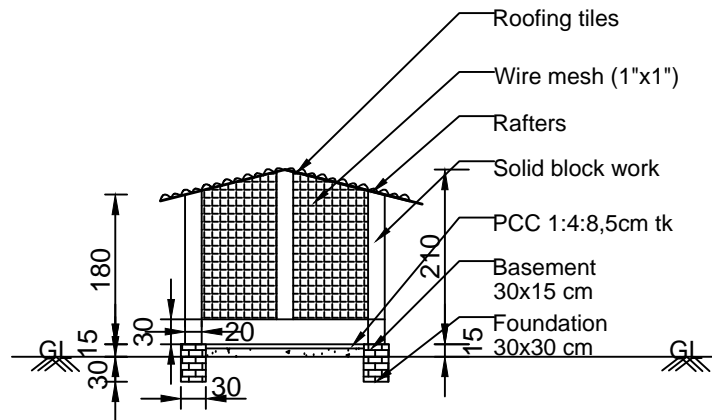


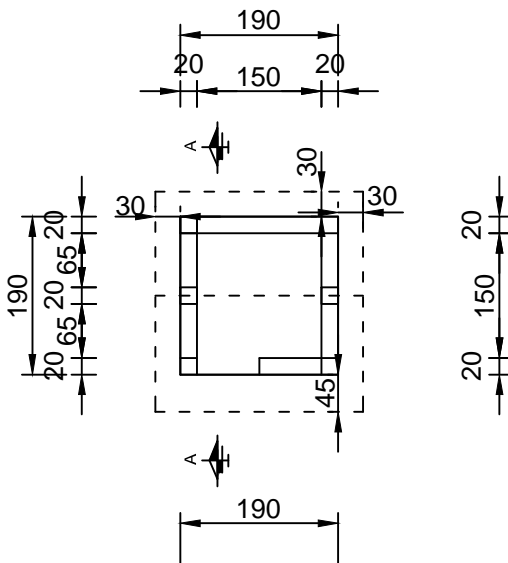
POULTRY SHED UNIT (For a capacity of 10 No: of Hen)



ELEVATION

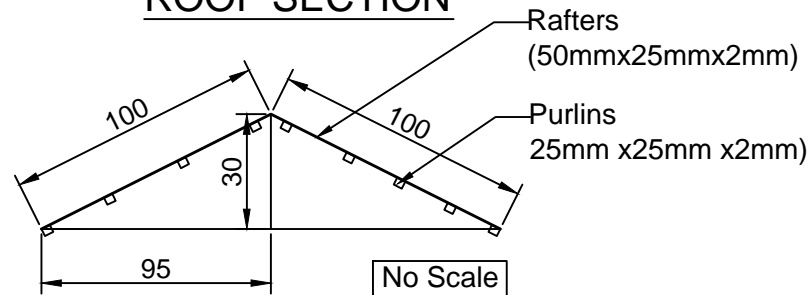


SECTION : A-A



TOP VIEW

ROOF SECTION



FRONT SIDE (Length = 1.45 m (1.00+0.45))

RAFTERS - 1.45 m - 9 Nos @ 0.3m distance
 PURLINS - 2.50 m - 5 Nos @ 0.3 m distance

BACK SIDE (Length = 1.30 m (1.00+0.3))

RAFTERS - 1.30 m - 9 Nos @0.3 m distance
 PURLINS - 2.50 m - 4 Nos @ 0.3m distance

PLAN AREA = 3.61 m² (39 ft²)
 INSIDE AREA = 2.25 m² (25 ft²)

SCALE - 1 : 100
 All dimensions are in CMs