

Attending all items.

Detailed Estimate

കമ്പോസ്റ്റ് പ്ലഗ് നിർമ്മാണം

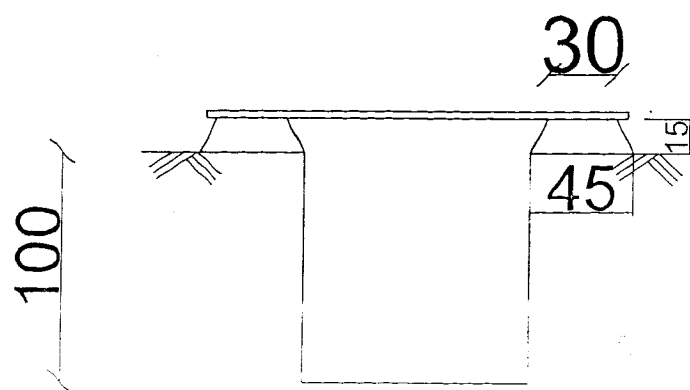
1 - Type II

SI No	Description	No	L	B	D	CF	Quantity	Remark
1	80.23 -- Earth work excavation in all kinds of soil(ordinary soil 50% and hard soil 50%) and depositing on banks with initial lead upto 50m an lift upto 1.5m including neat banking							
1	pit	1	1.300	0.900	1.000	1.0	1.1710	-
	Total Quantity						1.1710 cum	
	Total Deducted Quantity						0.0000 cum	
	Net Total Quantity						1.17 cum	
	Say 1.1710 cum @ Rs 130.08 / cum							152.32
	Unskilled wage							152.32
	Unskilled Person-days					0.562		Water Charge 0.0
2	80.5.6.1.7 -- Solid block masonry using pre cast solid blocks (Factory made) of size 40x20x15cm or nearest available size confirming to IS 2185 part I of 1979 for foundation and plinth with thickness 15 cm in : CM 1:6 (1 cement : 6 coarse sand) etc complete							
1	all around	1	3.800	0.150	1.200	1.0	0.6840	-
2	Deduction gap for honeycomb	35	0.100	0.150	0.200	1.0	-0.1050	-
	Total Deducted Quantity						-0.1050 cum	
	Net Total Quantity						0.58 cum	
	Say 0.5790 cum @ Rs 4889.42 / cum							2830.97
	Unskilled wage							238.68
	Unskilled Person-days					0.881		Water Charge 0.0
3	10.16.1 -- Steel work in built up tubular (round, square or rectangular hollow tubes etc.) trusses etc., including cutting, hoisting, fixing position and applying a priming coat of approved steel primer, including welding and bolted with special shaped washers etc. complete. Hot finished welded type tubes							
1	horizontal 25x25x2.6mm hollow square sec.	2	1.600	1.000	1.000	1.69	5.4080	-
2	vertical 25x25x2.6mm hollow square sec.	3	1.200	1.000	1.000	1.69	6.0840	-
	Total Quantity						11.4920 kg	
	Total Deducted Quantity						0.0000 kg	
	Net Total Quantity						11.49 kg	
	Say 11.4920 kg @ Rs 130.49 / Kg							1499.59
	Unskilled wage							145.72
	Unskilled Person-days					0.538		Water Charge 0.0

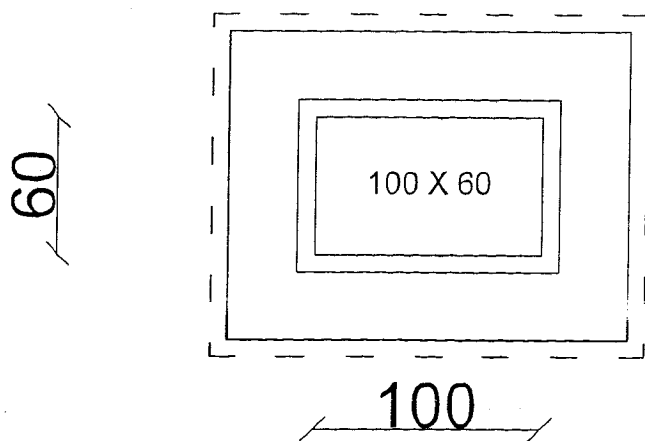
4
12.1.3 - Providing corrugate G.S. sheet roofing including vertical/ curved surface fixed with polymer coated J or L hooks, bolts and nuts 8 mm diameter with bitumen and G.I. limpet washers or with G.I. limpet washers filled with white lead, including a coat of approved steel primer and two coats of approved paint on overlapping of sheets complete (up to any pitch in horizontal / vertical or curved surfaces), excluding the cost of purlins, rafters and trusses and including cutting to size and shape wherever required.
 0.63 mm thick with zinc coating not less than 275 gm/m²

SI No	Description	No	L	B	D	CF	Quantity	Remark
1		1	1.850	1.450		1.0	2.6830	
	Total Quantity						2.6830 sqm	
	Total Deducted Quantity						0.0000 sqm	
	Net Total Quantity						2.68 sqm	
	Say 2.6830 sqm @ Rs 862.29 / sqm						2313.52	
	Unskilled wage	75.50				0.279		
	Unskilled Person-days							
	Water Charge						0.0	
	Display Board							3004.00
	Total Rs :							9800.41
	Rounded Total Rs :							9,800.00
	(Rupees Nine Thousand Eight Hundred Only)							
	Unskilled Manpower wages						612.22	
	Materials						5106.88	
	Skilled						419.43	
	SemiSkilled						658.01	
	Water Charge						0.00	
	No of Person days							2.26

TYPE No.II. PIT COMPOSTING UNIT (Earthen)



SECTIONAL ELEVATION



PLAN

All dimensions are in cm

കേരളം പ്ലാൻ നിർമ്മാണം

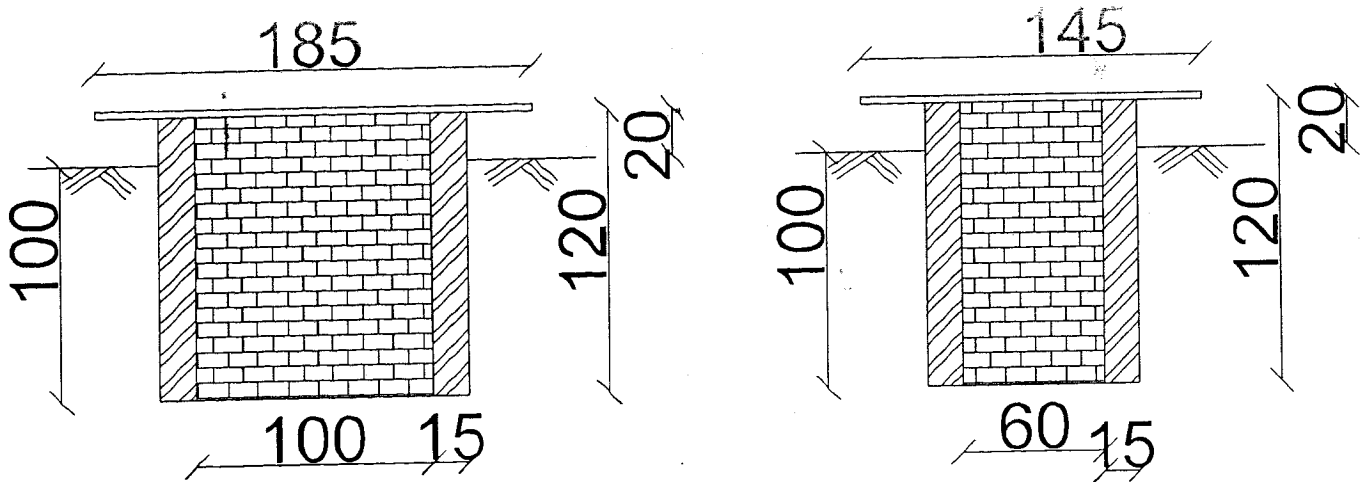
1 - Type III

SI No	Description	No	L	B	D	CF	Quantity	Remark
1	80.23 -- Earth work excavation in all kinds of soil(ordinary soil 50% and hard soil 50%) and depositing on banks with initial lead upto 50m an lift upto 1.5m including neat banking							
1	pit	1	1.300	0.900	1.000	1.0	1.1710	-
	Total Quantity						1.1710 cum	
	Total Deducted Quantity						0.0000 cum	
	Net Total Quantity						1.17 cum	
	Say 1.1710 cum @ Rs 130.08 / cum							152.32
	Unskilled Person-days					0.562		Water Charge 0.0
2	80.5.6.1.7 -- Solid block masonry using pre cast solid blocks (Factory made) of size 40x20x15cm or nearest available size confirming to IS 2185 part I of 1979 for foundation and plinth with thickness 15 cm in : CM 1:6 (1 cement : 6 coarse sand) etc complete							
1	all around	1	3.800	0.150	1.200	1.0	0.6840	-
2	Deduction gap for honeycomb	35	0.100	0.150	0.200	1.0	-0.1050	0.6840 cum
	Total Quantity						-0.1050 cum	
	Total Deducted Quantity						0.58 cum	
	Net Total Quantity						2830.97	
	Say 0.5790 cum @ Rs 4889.42 / cum							Water Charge 0.0
	Unskilled wage					0.881		
3	10.16.1 -- Steel work in built up tubular (round, square or rectangular hollow tubes etc.) trusses etc., including cutting, hoisting, fixing position and applying a priming coat of approved steel primer, including welding and bolted with special shaped washers etc. complete. Hot finished welded type tubes							
1	horizontal 25x25x2.6mm hollow square sec.	2	1.600	1.000	1.000	1.69	5.4080	-
2	vertical 25x25x2.6mm hollow square sec.	3	1.200	1.000	1.000	1.69	6.0840	-
	Total Quantity						11.4920 kg	
	Total Deducted Quantity						0.0000 kg	
	Net Total Quantity						11.49 kg	
	Say 11.4920 kg @ Rs 130.49 / kg							1499.59
	Unskilled wage					0.538		Water Charge 0.0

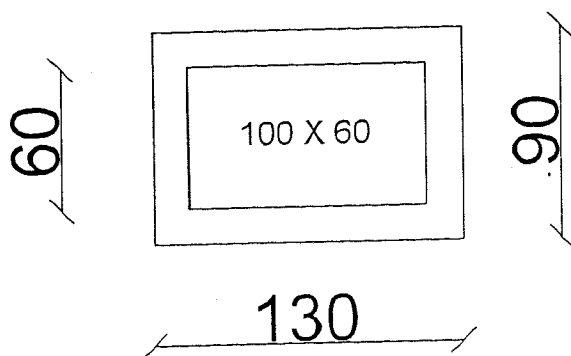
4
12.1.3 – Providing corrugate G.S. sheet roofing including vertical/ curved surface fixed with polymer coated J or L hooks, bolts and nuts 8 mm diameter with bitumen and G.I. limpet washers or with G.I. limpet washers filled with white lead, including a coat of approved steel primer and two coats of approved paint on overlapping of sheets complete (up to any pitch in horizontal / vertical or curved surfaces), excluding the cost of purins, rafters and trusses and including cutting to size and shape wherever required.
 0.63 mm thick with zinc coating not less than 275 gm/m2

SI No	Description	No	L	B	D	CF	Quantity	Remark
1		1	1.850	1.450		1.0	2.6830	
	Total Quantity						2.6830 sqm	
	Total Deducted Quantity						0.0000 sqm	
	Net Total Quantity						2.68 sqm	
	Say 2.6830 sqm @ Rs 862.29 / sqm						2313.52	
	Unskilled wage	75.50				0.279		Water Charge 0.0
2	Display Board							3004.00
								9800.41
								Rounded Total Rs : 9,800.00
								(Rupees Nine Thousand Eight Hundred Only)
								Unskilled Manpower wages 612.22
								Materials 5106.88
								Skilled 419.43
								SemiSkilled 658.01
								Water Charge 0.00
								No of Person days 2.26

TYPE No.III. PIT COMPOSTING UNIT
(Brick Work)



SECTIONAL ELEVATION



Detailed Estimate

കമ്പോസ്റ്റ് പിറ്റ് നിർമ്മാണം

1 - Type 1

SI No.	Description	No	L	B	D	CF	Quantity	Remark
1	80.23 -- Earth work excavation in all kinds of soil (ordinary soil 50% and hard soil 50%) and depositing on banks with initial lead upto 50m an lift upto 1.5m including neat banking							
1	pit	1	1.000	0.600	1.000	1.0	0.6000	-
2	foundation and super structure (elevated portion)	2	1.300	0.150	0.200	1.0	0.0790	-
3		2	0.600	0.150	0.200	1.0	0.0360	-
							Total Quantity	0.7150 cum
							Total Deducted Quantity	0.0000 cum
							Net Total Quantity	0.72 cum
							Say 0.7150 cum @ Rs 130.08 / cum	
Unskilled wage		93.01		Unskilled Person-days		0.343		Water Charge 0.0
							Unskilled Person-days	0.343

2 80.5.6.1.7 -- Solid block masonry using pre cast solid blocks (Factory made) of size 40x20x15cm or nearest available size conforming to IS 2185 part I of 1979 for foundation and plinth with thickness 15 cm in : CM 1:6 (1 cement : 6 coarse sand) etc complete

SI No	Description	No	L	B	D	CF	Quantity	Remark
1	Elevated portion (length wise)	2	1.300	0.150	0.300	1.0	0.1170	-
2	Elevated portion (Width wise)	2	0.600	0.150	0.300	1.0	0.0540	-
		Total Quantity						0.1710 cum
		Total Deducted Quantity						0.0000 cum
		Net Total Quantity						0.17 cum
		Say 0.1710 cum @ Rs 4889.42 / cum						836.09
		Unskilled Person-days		0.26				Water Charge 0.0

3 10.16.1 -- Steel work in built up tubular (round, square or rectangular hollow tubes etc.) trusses etc., including cutting, hoisting, fixing position and applying a priming coat of approved steel primer, including welding and bolted with special shaped washers etc. complete.

SI No	Description	No	L	B	D	CF	Quantity	Remark
1	horizontal 25x25x2.6mm hollow square sec.	2	1.600	1.000	1.000	1.69	5.4080	-
2	vertical 25x25x2.6mm hollow square sec.	3	1.200	1.000	1.000	1.69	6.0840	-
		Total Quantity						11.4920 kg
		Total Deducted Quantity						0.0000 kg
		Net Total Quantity						11.49 kg
		Say 11.4920 kg @ Rs 130.49 / kg						1499.59
		Unskilled Person-days		0.538				Water Charge 0.0

4 12.1.3 -- Providing corrugate G.S. sheet roofing including vertical/ curved surface fixed with polymer coated J or L hooks, bolts and nuts 8 mm diameter with bitumen and G.I. limpet washers or with G.I. limpet washers filled with white lead, including a coat of approved steel primer and two coats of approved paint on overlapping of sheets complete (up to any pitch in horizontal / vertical or curved surfaces), excluding the cost of purlins, rafters and trusses and including cutting to size and shape wherever required.

SI No	Description	No	L	B	D	CF	Quantity	Remark
1	0.63 mm thick with zinc coating not less than 275 gm/m ²	1	1.850	1.450		1.0	2.6830	-
		Total Quantity						2.6830 sqm
		Total Deducted Quantity						0.0000 sqm
		Net Total Quantity						2.68 sqm
		Say 2.6830 sqm @ Rs 862.29 / sqm						2313.52
		Unskilled Person-days		0.279				Water Charge 0.0
		Unskilled wage		75.50				2998.00

2 Display Board

		Total Rs :						7740.21
		Rounded Total Rs :						7,740.00

(Rupees Seven Thousand Seven Hundred and Forty Only)

Unskilled Manpower wages	384.72
Materials	3713.39
Skilled	272.55
SemiSkilled	371.68
Water Charge	0.00
No of Person days	1.42